

seeglass one®



Create new spaces
with unlimited views...



NEW SEEGLASS ONE

Glass doors with no vertical profiles

The new glass doors with no vertical profiles **seeglass-one**, have been designed with the purpose of allowing you to enjoy your terrace, porch or balcony all year round.

They are modern and minimalistic systems composed of tempered glass panels (8, 10 and 12mm options are available), upper and lower guide profiles. The combination of these components and the absence of vertical profiles will allow you to enjoy quality moments in your stay no matter what time of the year:

COMPLETELY CLOSED SYSTEM



When the system is closed, it protects your terrace from bad weather.

When open, it allows you to enjoy the outdoors.

Operation: In order to open the glass doors Seeglass, the first glass panel should be opened to the inside or the outside enabling the following panels to slide in the opening direction. After this, they will fold together with the opening panel. Push or pull each panel, using the glass' edge, and move them as desired. This system embraces a very comfortable way of creating useable spaces.

HALF-OPENED SYSTEM



COMPLETELY OPENED SYSTEM



STACKED PANELS





Seeglass-one is the new sliding and folding glazing system for those who seek a design that does not disrupt the aesthetics of the existing building, and at the same time provides a high resistance and sealing against the most adverse weather conditions.

Reinforced steel bearings with anodized aluminum chassis hinges, as well as upper frames and reinforced hinge sockets give an unmatched robustness, thanks to its high-quality materials and components. Its versatility makes Seeglass-one a system with great functionality and quality for all types of applications.

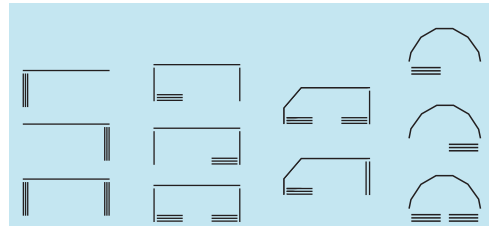
Innovative end-caps design, 8mm, 10mm and 12mm tempered glass, make the best watertight glass system with no vertical profiles, and the most prepared to withstand severe weather conditions.

Seeglass-one is placed on the top of the Seeglass range, strengthening our brand as a benchmark in terms of design and innovation in the sector of sliding and folding systems with no vertical profiles.

DIFFERENT CONFIGURATIONS

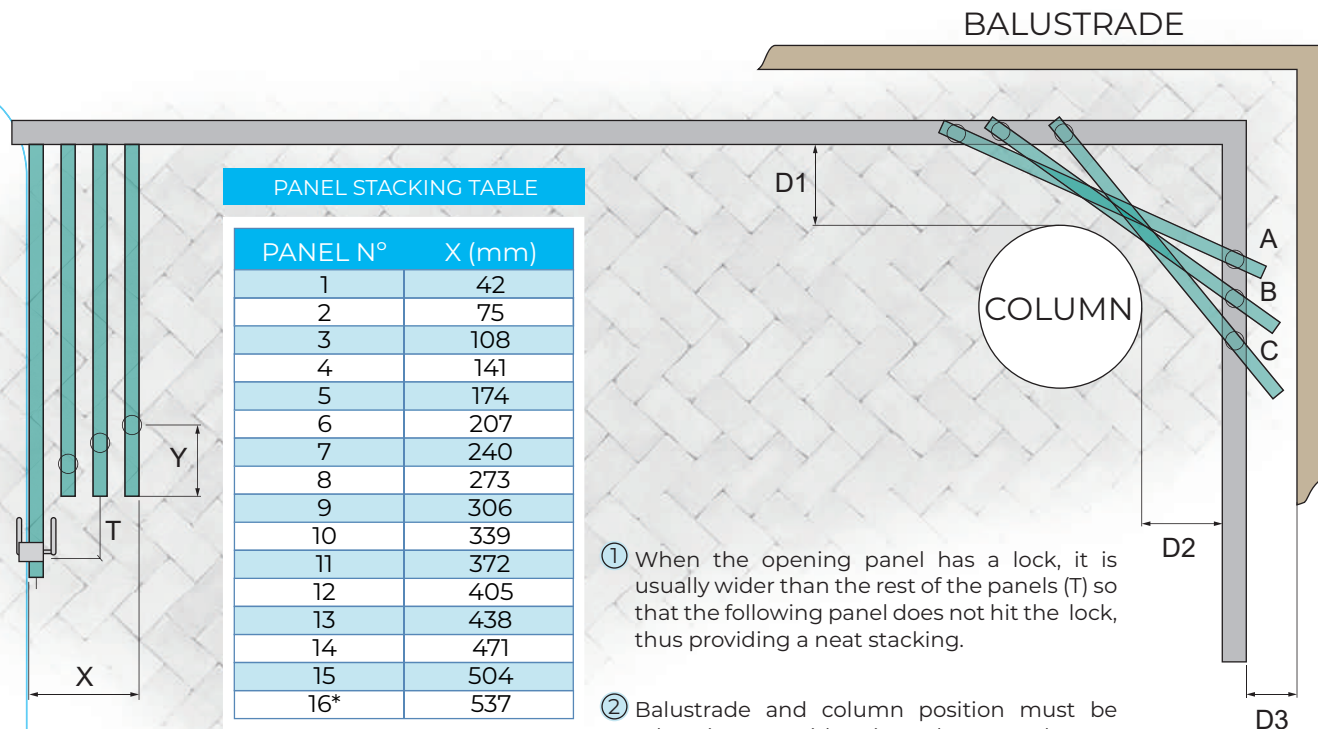


CONFIGURATION EXAMPLES



The new **Seeglass-one** system let you slide glass panels in any way desired, being able to adjust to almost any possible configuration. Openings can be internal or external and opening devices can be on the inside or on the outside. Additionally, all the panels can be easily cleaned.

PANEL STACKING AND CORNER TURNING



① When the opening panel has a lock, it is usually wider than the rest of the panels (T) so that the following panel does not hit the lock, thus providing a neat stacking.

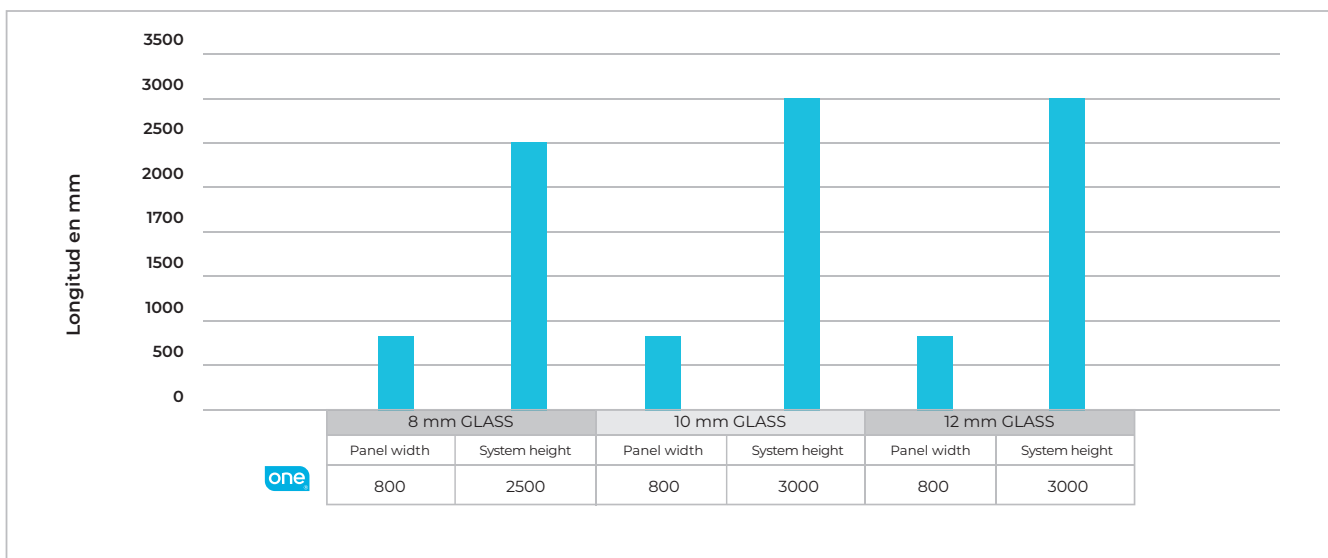
② Balustrade and column position must be taken into consideration when panels turn around. The diminishing gap between hinges (Y) must also be taken into account as panels are added. The distance to the balustrade or column (D1, D2, D3) must be determined to allow clearance when opening.

*Maximum recommended number of glass panels depending on their height/width the type of material they are installed on. For a higher amount of panels, please consult with our technical department.

TECHNICAL SPECIFICATIONS

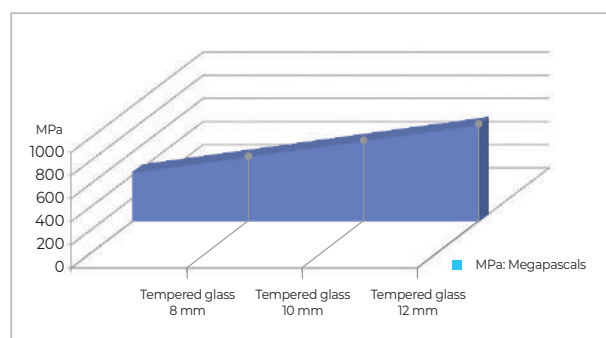
CONTENT TABLE			
	SEEGGLASS ONE		
	8 mm glass	10 mm glass	12 mm glass
Weight	24 kg / m ²	29 kg / m ²	34 kg / m ²
Maximum height	2500 mm	3000 mm	
Maximum system width	Unlimited		
Maximum panel width	800 mm		
Type of glass	Tempered		
Glass fixing	Screwed and stuck		
Intermediate opening	Yes		
Exterior opening	Yes		
Moving door	Yes		
Lower embedded profile	Yes		
Available finishes	Anodised, RAL colours and wood effect		

WIDTH-HEIGHT TABLE / SYSTEMS' WEIGHT



MAXIMUM WIND LOAD SUPPORTED

Panel size: 800 x 1900 mm.
Evenly distributed load.



INTEGRATED METAL OPENING



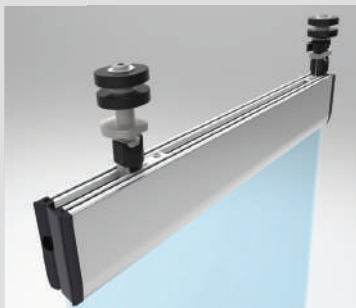
The opening of the panels is integrated into the profiles making at the same time functional and esthetically pleasing.

GLASS FIXING



Glasses are fixed to the profile using screws. This guarantees a perfect and long-lasting operation, as well as guaranteeing extra safety. The glass fixing is completed using adhesive polymer adding even more security.

HIGH RESISTANCE HINGES AND BEARINGS



Reinforced steel and engraved aluminium and zinc allows high resistant to impacts and deformations.

OPERATION



All components used are highly resistant and specially designed for repeated and continuous use. The sliding of the panels is smooth and quiet.

PANEL END CAPS



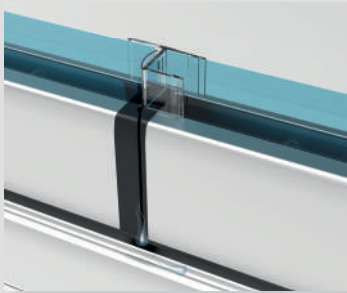
New male-female panel end caps design providing great weather-tightness and preventing air and water from entering the glass system.

90° JOINTS WITH MAGNET GASKETS



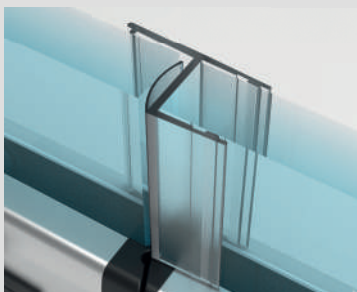
New end caps design with magnets for glass systems with 90° corners guaranteeing the best weather-tightness.

WATER DRAINAGE



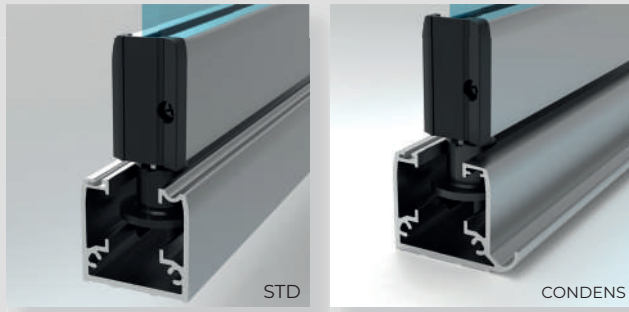
The new end-cap design allows a much better drainage of the water down through the lower profile. At the same time it helps effectively against condensation caused by rain, cold etc.

WEATHER SEALS INBETWEEN PANELS



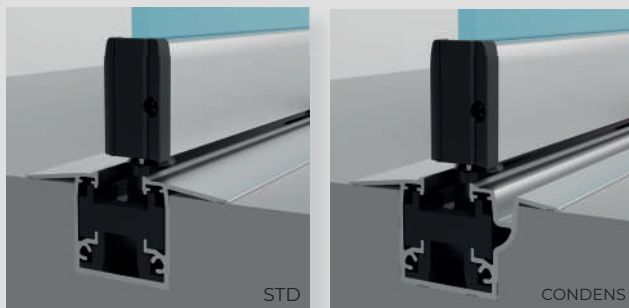
The new gaskets weather seals placed in between each glass panel make installation much easier and reduce considerably the noise caused by the glass when moving the panels making the use of the whole system extremely comfortable.

LOWER PROFILES (ABOVE THE FLOOR)



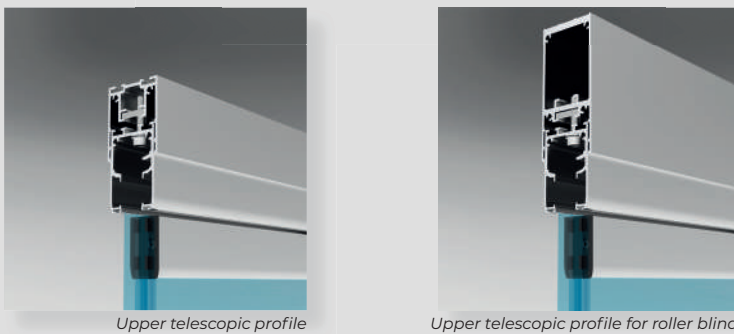
The standard lower profile and the anti-condensation are designed to allow a better drainage of the humidity caused by condensation, draining to the outside through the lower profiles.

EMBEDDED LOWER PROFILES



The embedded lower profile is designed specifically for those places where an obstacle and step free access is needed. As for the standard lower profiles the embedded ones are available with anti-condensation.

UPPER TELESCOPIC PROFILE / FOR ROLLER BLIND



This new telescopic profile has been designed to allow enough space to install roller blinds on the system without the need of adding any extra profile. At the same time, it guarantees hassle free and neat installations.

The profile also boosts reinforced and thicker metal making it highly weight resistant.

Maximum width of the bracket to install: 60 mm.



DISPLACED PROFILE

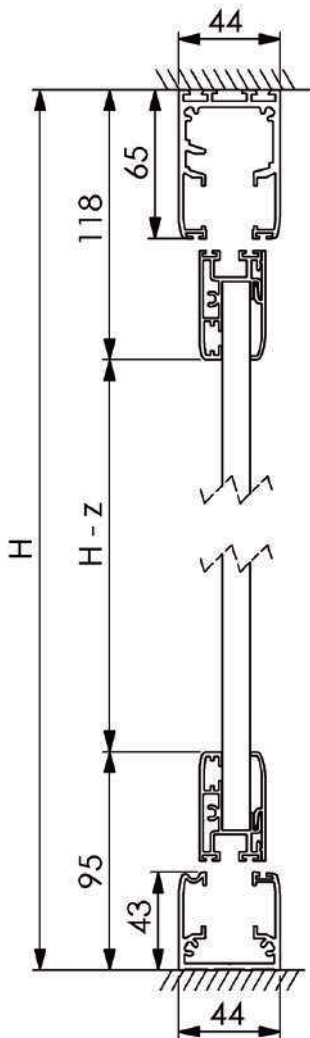


This new profile allows installations with balustrades or when straight direct fixing is not possible, allowing to install the system even in non-favourable constructions.

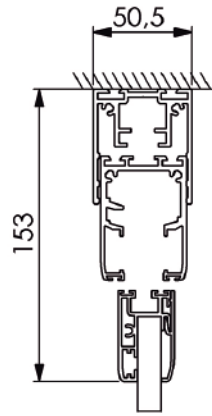
New

SYSTEM SECTIONS

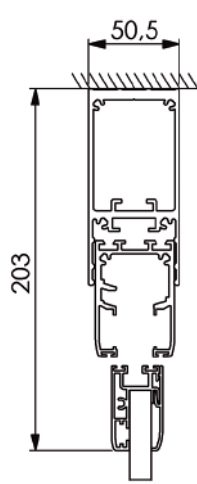
No upper telescopic profile Lower standard profile



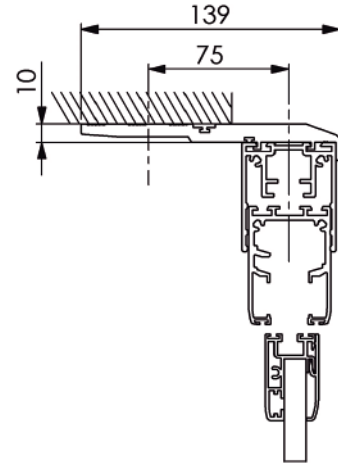
With upper telescopic profile



With upper telescopic profile for roller blind

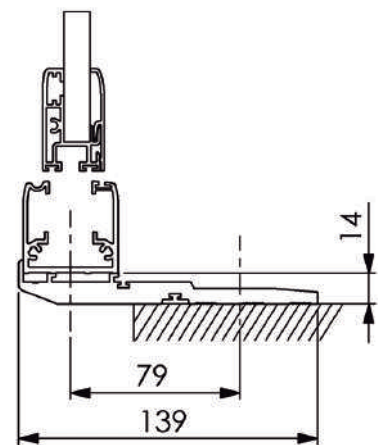
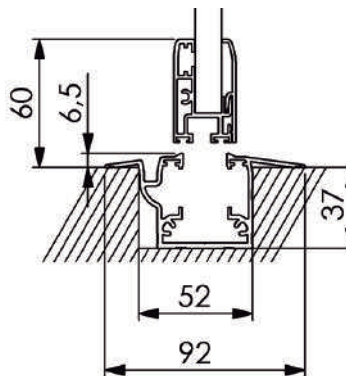
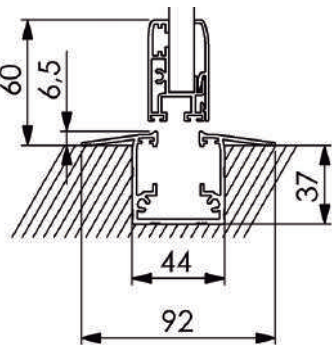
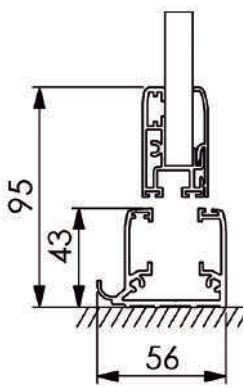


With upper telescopic fixing displaced profile



External view

LOWER PROFILE \ UPPER PROFILE	Cota Z (mm.)		
	Standard	Telescopic	Telescopic for roller blind
Standard	213 mm.	248 mm.	298 mm.
Anti-condensation			
Embedded	178 mm.	213 mm.	263 mm.
Anti-condensation embedded			



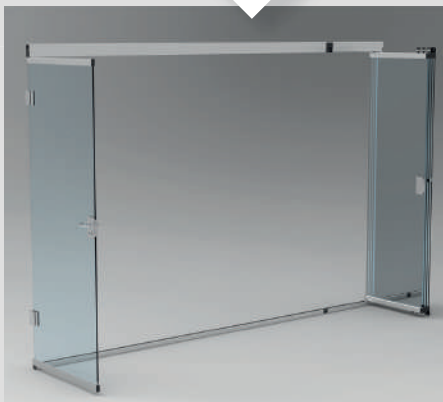
No upper telescopic profile Lower embedded profile

Upper telescopic profile lower gotejon

Upper telescopic profile lower embedded gotejon

Marco inferior con perfil inferior desplazado

CONTINUOUSLY USED DOOR MAIN DOOR



• **Hotels**



• **Restaurants**

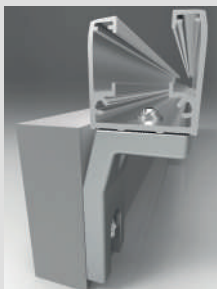
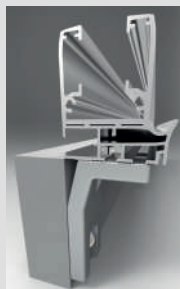
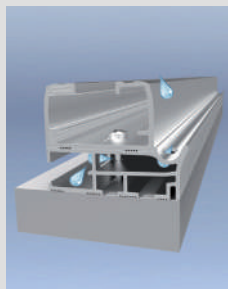


• **Coffee shops**



C3 Systems also has the new continuously used door called **"MAIN DOOR"**, specially designed for public spaces, where the door is being used constantly like:

AUXILIARY CONDENSATION PROFILE / BRACKET SUPPORT



This new auxiliary condensation profile is specially designed to drain out the water that forms due to temperature changes. It can be installed with or without bracket support.

This new bracket support will allow you to install the lower profiles in those situations that cannot be installed on a wall or a balustrade..

LATERAL PROFILES



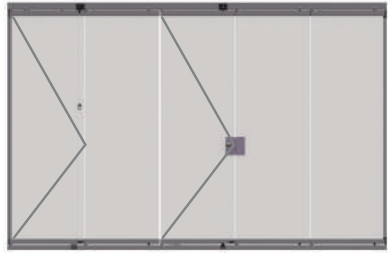
Lateral profiles are specially designed for preventing the entrance of air. They are also used for adding extra stability to the panels as well as a compensator in cases where there are imperfections on the sides. Fast and easy installation, and it can be easily added to a previously installed system.

PANEL BLOCKING KIT



This new panel blocking kit allows a firm and resistant grip of the panels once the system is opened.

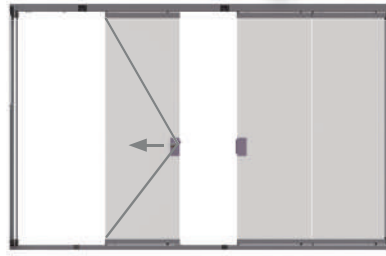
MOVING DOOR



The MOVING DOOR can be placed in the central part of the system and it can be opened and it's operated by lock as in any conventional **seeglass** system.

*Consult all those measures that exceed those indicated in the catalog.

**It can never be placed in 2nd position (after the door).



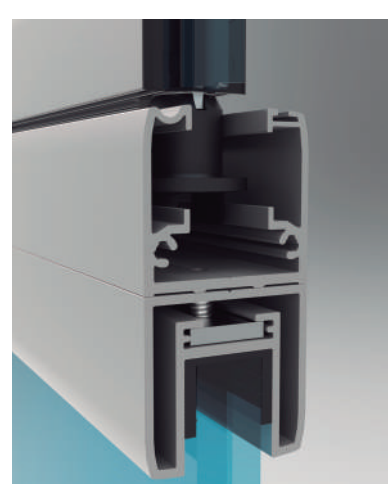
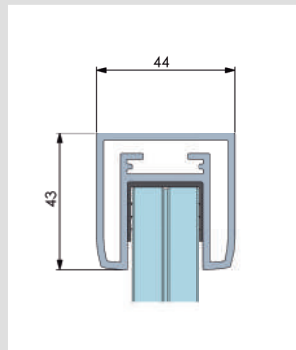
The user, releasing the door, can slide it to the opening end, leaving the entire enclosure free.

Maximum Height: 2.500 mm
Maximum panel width: 750 mm

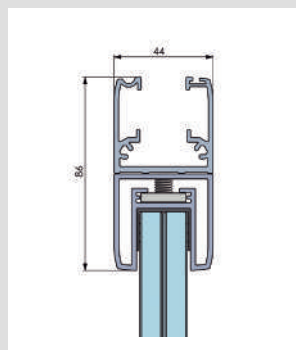
NEW HANDRAIL PROFILE



Handrail profile without regulation



Handrail profile + SEEGLASS ONE system with regulation



seeglass pro®

With a new handrail profile for our balustrade **Seeglass Pro**, the other **Seeglass** systems will be able to be installed over it, increasing the view and the brightness.

Available for 8+8mm. and 10+10 mm. glass thicknesses

Drives variety

CABLE OPENING DEVICE



The standard drive is the mini metallic cable handle, giving a different and innovative touch to its **seeglass-one** enclosure. With a sleek and minimalist design, the corded handle lets you expand your views even further.

SIMPLE AND DOUBLE KNOBS

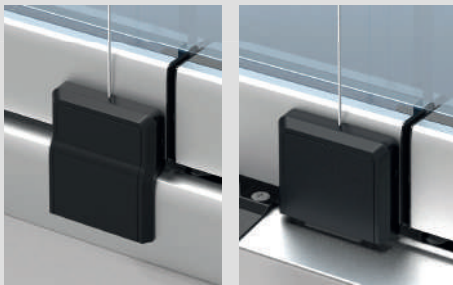


Elegant and minimalistic, this opening device is another option which can be chosen for your **seeglass-one** system.



The main difference from other systems is the possibility to easily adjust the cable tension produced by continuous usage, so it doesn't lose its functionality. Two different models can be chosen: simple knob and double knob, which allows the opening from inside and outside.

LOWER LOCK FOR SIMPLE AND DOUBLE KNOB



This device acts as a second locking point on the opening panel. It is the standard option on all **Seeglass-one** knobs.

CRANK LOCK


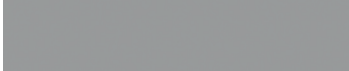







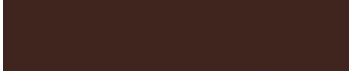
Crank lock







Short crank lock or *golf*

Possibility of incorporating keyed security actuations, to allow simultaneous access from both the inside and the outside.

BASIC COLORS	SAMPLE
WHITE	
9006 NATURE	
7016 MATT	
7016 TX	
9011 MATT	

OTHER COLOURS	SAMPLE
RAL 1013	
RAL 8014	
RAL 8017	

STANDARD COLOURS	SAMPLE
ANODIZ. MATT SILVER	
ANODIZ. INOX	

WOOD EFFECTS	SAMPLE
GOLDEN OAK (BTO-100)	
SAPPELLY MAHOGANY TXT (BTO-12)	
ANDALUSIAN WALNUT TEX. (FTO-160)	
CHERRY CATHEDRALS DARK (606)	

ROLLER BLIND

habitat sun®



Adaptive comfort for solar protection.

The **habitat-sun** roller blinds are modern sun protection systems created to meet the most varied requirements. They offer solutions for any type of glass curtain, since they adapt to the upper part thanks to the expander profile. In addition, they contribute to notably optimize the energy efficiency of the room, allowing a better use of solar energy. **They are available with both manual and motorized mechanisms.** You can create an atmosphere according to the decoration of your home thanks to its wide range of fabrics and finishes.

PLEATED BLINDS

habitat sun®



The lightest and the most efficient sun protection.

The pleated **habitat-sun** model is a very light fabric blind; easy to handle. It fits perfectly to minimum rolling spaces and contributes significantly to the optimization of the space efficiency, allowing a better use of solar energy. It offers a variety of positions according to protection needs at any time of the day. **It can be folded from the bottom up, top down or left in the middle as a tool for creativity and style in your space.** You can create an environment in accordance with your home decor thanks to its wide range of basic, micro-perforated and black-out colours.

PLEATED MOSQUITO NET

habitat net®

Customise your environment and enjoy better comfort.

Habitat-net is a pleated mosquito net system specially designed by C3 Systems to cover big dimensions without sacrificing resistance, functionality, aesthetics and design.

It has achieved an important European certification (European Class 2) of wind resistance, an improvement in the thermal transmittance (-0.56 W/m· K), and a reduction of background noise (1db).

The net also got the maximum classification in water, salinity and sunlight resistance tests.



CERTIFICATION

All our systems and their components are designed by C3 Systems, S.L. engineers and manufactured in Spain, so you will be purchasing a product of excellent quality. Due to having passed the most strict quality controls, there are product certificates available for the **Seeglass** range of products. You will be able to check the values for wind resistance, water tightness, etc.

Seeglass-one is the best glass enclosure with no vertical profiles available at the market, which allows us to offer a **guarantee up to 15 years.***

* (To read the guarantee in detail, please download the general sales conditions on the website's customer area).

Seeglass-one is produced and manufactured in **SPAIN** and all the components have been designed by our team of engineers and manufactured under a strict quality control.

Seeglass-one has a **CE mark**. We identify, test, and certify our products' authenticity with a Declaration of Conformity properly stamped and signed.

GLASS GUARANTEE

Seeglass-one has all the necessary official documents that certify the quality of the glass available to clients. We use high resistant tempered, secure, and polished edges glass. We are sure you and your family will enjoy a **safe and guaranteed product**.

Seeglass-one aluminium is processed according to the International Standards of **Qualanod**, **Qualideco** and **Qualicoat**, which certifies the quality of processing.





MADE IN SPAIN



C3 Systems, S.L. · C/ Ibi, 13 · Polígono Industrial Cachapets · 03330 Crevillente (Alicante) España · Telf. +34 966 286 186

c3systems@c3systems.es · www.c3systems.es



The purpose of this document is to meet a commercial function. It does not constitute an authentic advertising offer in a "strict" sense. If you would like to formalise a contract, please contact C3 Systems, SL in order to offer you specific and personalised information that contains objective information regarding relevant characteristics. This means it will constitute an offer in a "strict" sense.

C3 Systems S.L. commits not to make misleading advertising by this means. To these effects, therefore, formal or numerical errors that could be found in the content of this document are not considered as misleading advertising, in particular regarding to the images accompanying in an illustrative way, and not contractual. In any case C3 Systems SL commits to correct it as soon as it becomes aware of such errors.