

seeglass run<sup>®</sup>



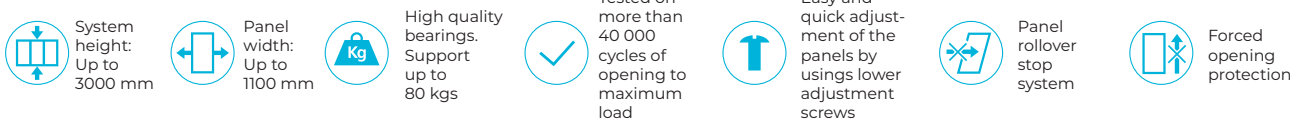
Creating usable spaces with  
unlimited views



## FRAMELESS SLIDING GLASS SELF-CLOSING SYSTEM



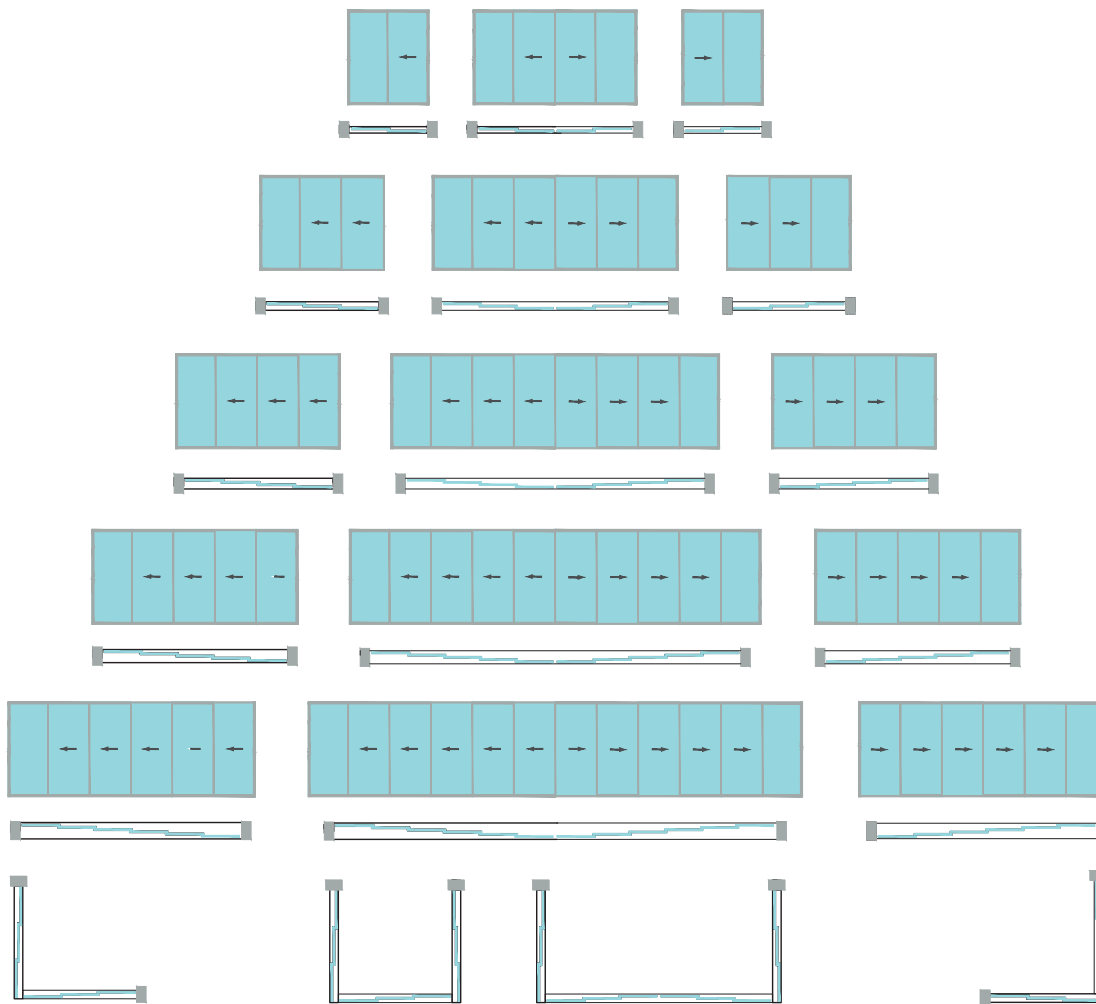
**Seeglass-run** is an ideal glass system solution for places where you do not want to invade the inside space, like restaurants, terraces and commercial spaces. This system offers the possibility of moving panels, horizontally to one or both sides. Thanks to specially designed panel caps, when the first panel is opened or closed it pulls the rest of the panels so they can be moved as a unit.



## PRODUCT BENEFITS

-  Simple and reliable system.
-  Easy cleaning and low maintenance.
-  It does not invade interior space.
-  Perfect integration.
-  Panoramic vision.
-  Protection against inclement weather.
-  Easy installation and handling.
-  High-quality product.
-  Variety of applications.
-  It allows to reuse space.
-  It extends furniture's lifespan.
-  It reduces space maintenance.

CONFIGURATIONS



INDUSTRIAL STYLE DECORATION

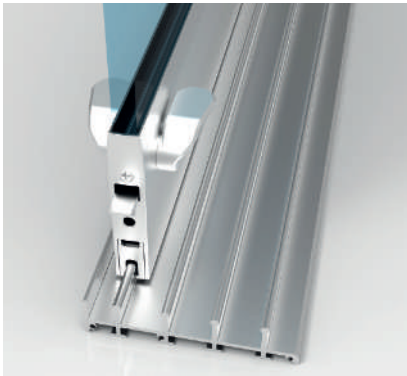


Industrial style sliding enclosure system that separates rooms without losing any natural light.

This new option, simple and unique, adapts to any type of space and creates a modern and avant-garde interior design style that provides an elegant presence in rooms.

- ▶ Available in matt black aluminium.
- ▶ 10 mm glass thickness
- ▶ In glass panes of less than/equal to 1500mm height, only one decorative horizontal profile.
- ▶ For glass heights above 1500mm, two decorative horizontal profiles.
- ▶ Made to measure and ready to install.

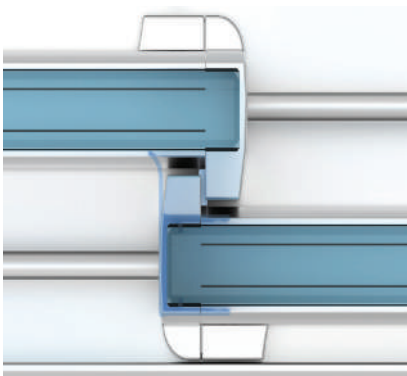
## SPECIAL FEATURES



**DOUBLE OPENING DEVICE:**  
Option to choose inside / outside opening device.



**FINISH:**  
Available colours:  
-Matt Chrome  
-White  
-Black  
-Silver



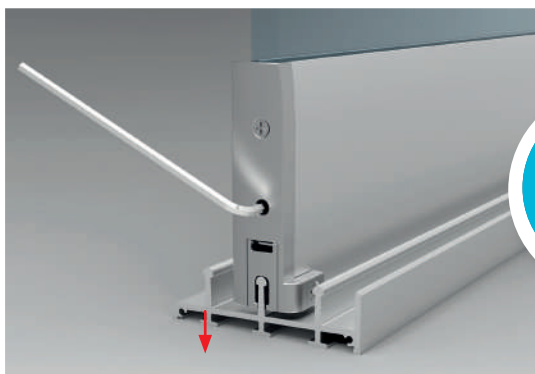
**GASKETS:**  
High quality PVC gaskets have been added to proof against leaks without affecting the aesthetic of the system.



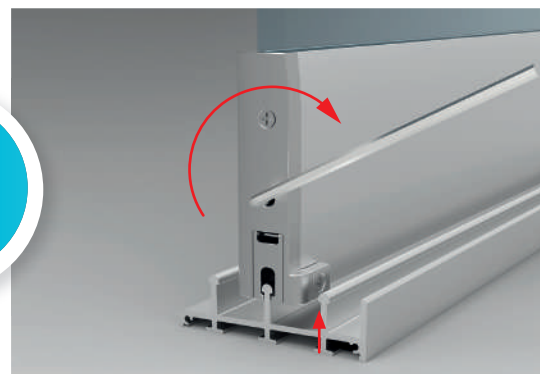
**EMBEDDED PROFILE:**  
Useful option for places where unobstructed access is needed.

## EASY INSTALLATION

Possible adjustment on bearings allows easy installation and assures proper panel movement.



UP TO 5 mm  
REGULATION

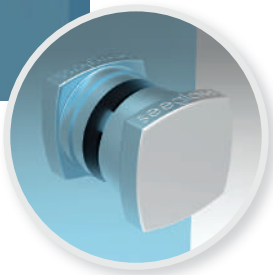


## AVAILABLE OPENING DEVICES



**SIMPLE KNOB / DOUBLE FIXED KNOB:**  
Standard opening device for SG RUN system.

**FINISH:**  
Matt Chrome.  
Matt Black.



**RING HANDLE:**  
Round opening device.

**FINISH:**  
INOX.  
Matt Black.



**S-4 LOCK:**  
Lock with a key on the outside and knob on the inside.

**FINISH:**  
Matt Chrome or Polished Chrome.



**S-6 LOCK:**  
Locking device with either 2 keyholes on both sides, or outside key outside and inside knob.

**FINISH:**  
Shine or Matt ChromeINOX look and Black Matt.



## LOCKING SYSTEMS

In order to achieve a complete closure and greater security, you can choose between two locking systems:

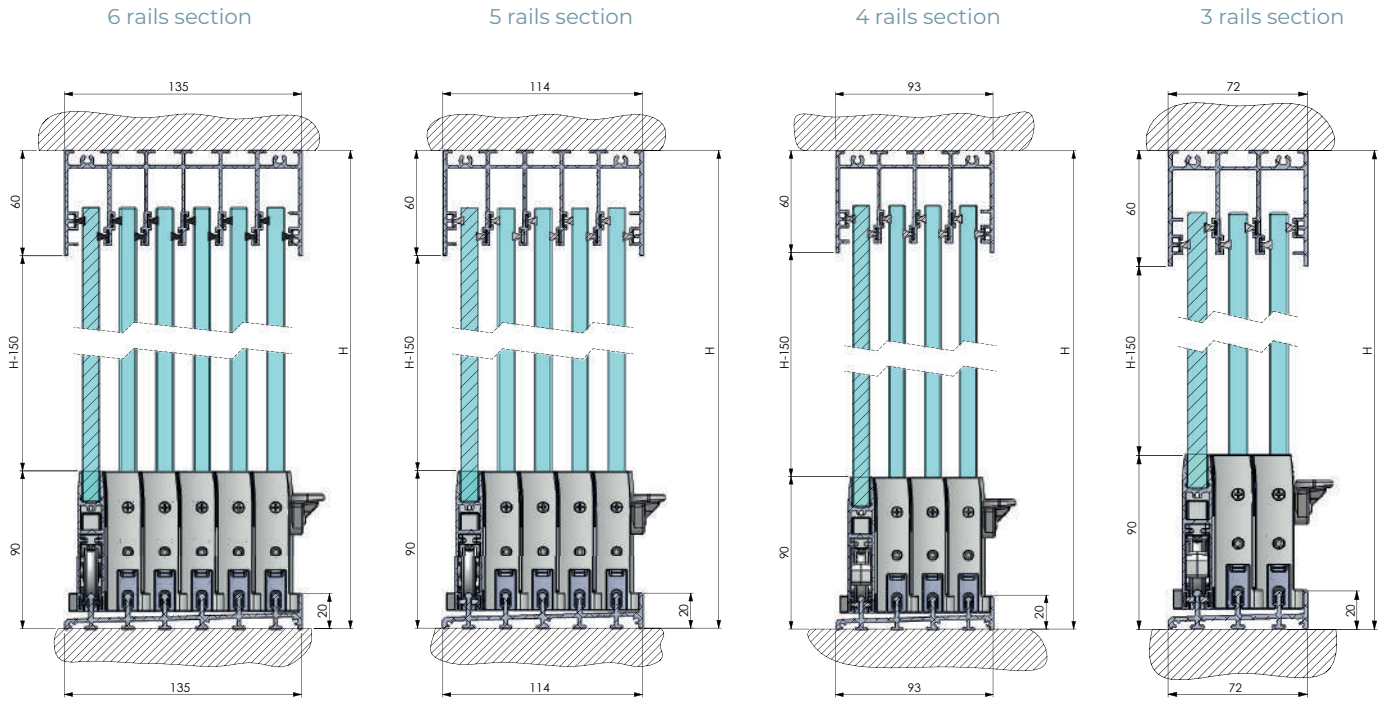


**AUTO-LOCK:**  
Standard opening system that unlocks only from the inside.

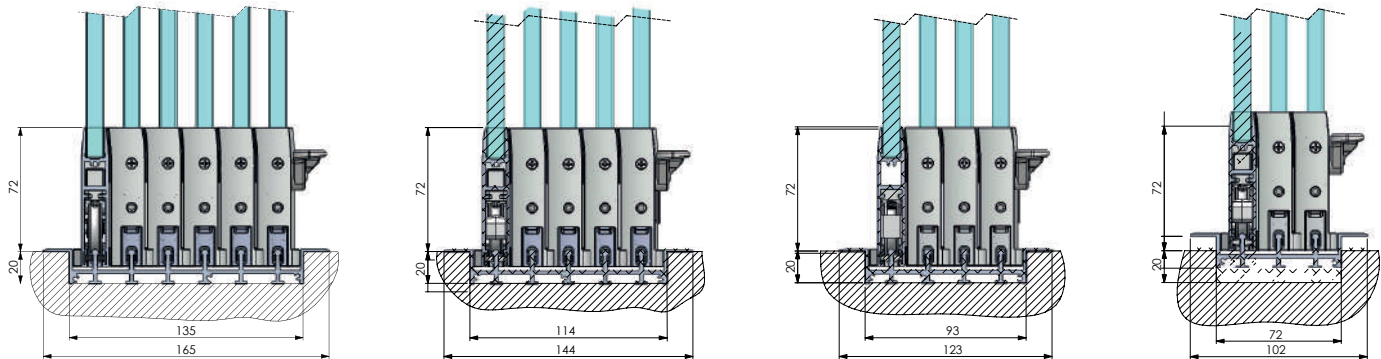


**LOWER LOCK:**  
Optional opening system, with contact lock that allows to open with the foot. With this option, the lateral finishing is not necessary.

## SYSTEM DETAILS - SURFACE OPTION



## SYSTEM DETAILS - EMBEDDED OPTION



### TECHNICAL FEATURES SEEGLASS-RUN

Number of rails	3	4	5	6
Type of lower rail	ELEVATED (20mm) or EMBEDDED (20mm)			
Type of glass	TEMPERED 10mm or 8mm			
Maximum system height	3000 mm for 10 mm and 2300 for 8 mm			
Maximum system width	UNLIMITED			
Maximum panel width	1200 mm*			
Glass grip	TAPED			
Opening type	SLIDING			
Weight location	WEIGHT IN LOWER FRAME			
Available finishes	ANODISED, RAL COLOURS AND WOOD EFFECT			

\*Depending on system height, maximum panel width may vary.

## GUARANTEE

Glass enclosing system **seeglass-run** is entirely produced in Spain. All the components are designed and manufactured by C3 Systems S.L.

This product has been tested according to the European standards for waterproof and wind resistance.



**seeglass-run** has a CE mark, as we endorse the production properly sealed and signed.



**seeglass-run** complies with international requirements for aluminium powder coating **Qualanod**, **Qualideco** and **Qualicoat**.

Documento Nº 239894      Hoja 1 de 7

**RESISTENCIA A LAS CARGAS DE VIENTO.**

Empresa: C3 SYSTEM, S.L.  
C/ Juan De Herrera nº 34, Parque Industr  
03203 - Elche, Alicante.

Producto: Cerramiento corredero.

Modelo: Serie: SEEGLASS RUN V2

Fabricante: C3 SYSTEM, S.L.

Dimensiones (AnxAl): 2100 mm x 2400 mm

Material: Aluminio L-4862 - E603 A2Migli, 500

Acrislamiento: Vidrio 10 mm panorámico laminado FLOAT Templado.

Fecha de Ensayo: 09.10.2015

Resistencia a la carga de viento      **CLASE**

Organismo      Método Nº 2005

Juan García Vigano  
Responsable Técnico

Para más información dirigirse a la competencia del material utilizado  
de acuerdo de la documentación adjunta.

Documento Nº 239895      HOJA 1 DE 9

**ENSAYOS DE PERMEABILIDAD AL AIRE Y ESTANQUEIDAD AL AGUA**

Empresa: C3 SYSTEM, S.L.  
C/ Juan De Herrera nº 34, Parque Industrial,  
03203 - Elche, Alicante.

Producto: Cerramiento corredero.

Modelo: SEEGLASS RUN V2.

Dimensiones (AnxAl): 2100 mm x 2400 mm

Material: Aluminio L-4862 - E603 A2Migli, 500

Acrislamiento: Vidrio 10 mm panorámico laminado FLOAT Templado.

Fecha de Ensayo: 09.10.2015

Permeabilidad al aire      **CLASE 1**

Estanqueidad al agua      **CLASE 1A**

Organismo      Método Nº 1005

Juan García Vigano  
Responsable Técnico

Para más información dirigirse a la competencia del material utilizado y de la instalación de acuerdo de la documentación adjunta.



Finishes available in **RAL**, **anodised** and **Wood effect**.

**MADE IN SPAIN**



C3 Systems, S.L. · C/ Ibi, 13 · Polígono Industrial Cachapets · 03330 Crevillente (Alicante) España · Telf. +34 966 286 186

[c3systems@c3systems.es](mailto:c3systems@c3systems.es) · [www.c3systems.es](http://www.c3systems.es)



This document responds to a mere function of commercial promotion; it does not constitute a genuine advertising offer in the "strict" sense. In order to form the appropriate contract, please contact C3 Systems, S.L. in order to offer you specific and personalized information, which contains objective data, referring to relevant characteristics, and which, it is understood that will constitute an offer in the "strict" sense.

C3 Systems, S.L. undertakes through this means not to carry out deceptive advertising. For these purposes, therefore, formal or numerical errors that may be found throughout the content of this document will not be considered as misleading advertising; in particular, as regards the accompanying images, which are illustrative and not contractual. In any case, C3 Systems, S.L., undertakes to correct it as soon as it becomes aware of such errors.